

Fax Option Type 2045 (B547)  
G3 Interface Unit Type 2045 (B591)

## **Fax Option Type 2045 (B547)/G3 Interface Unit Type 2045 (B591)**

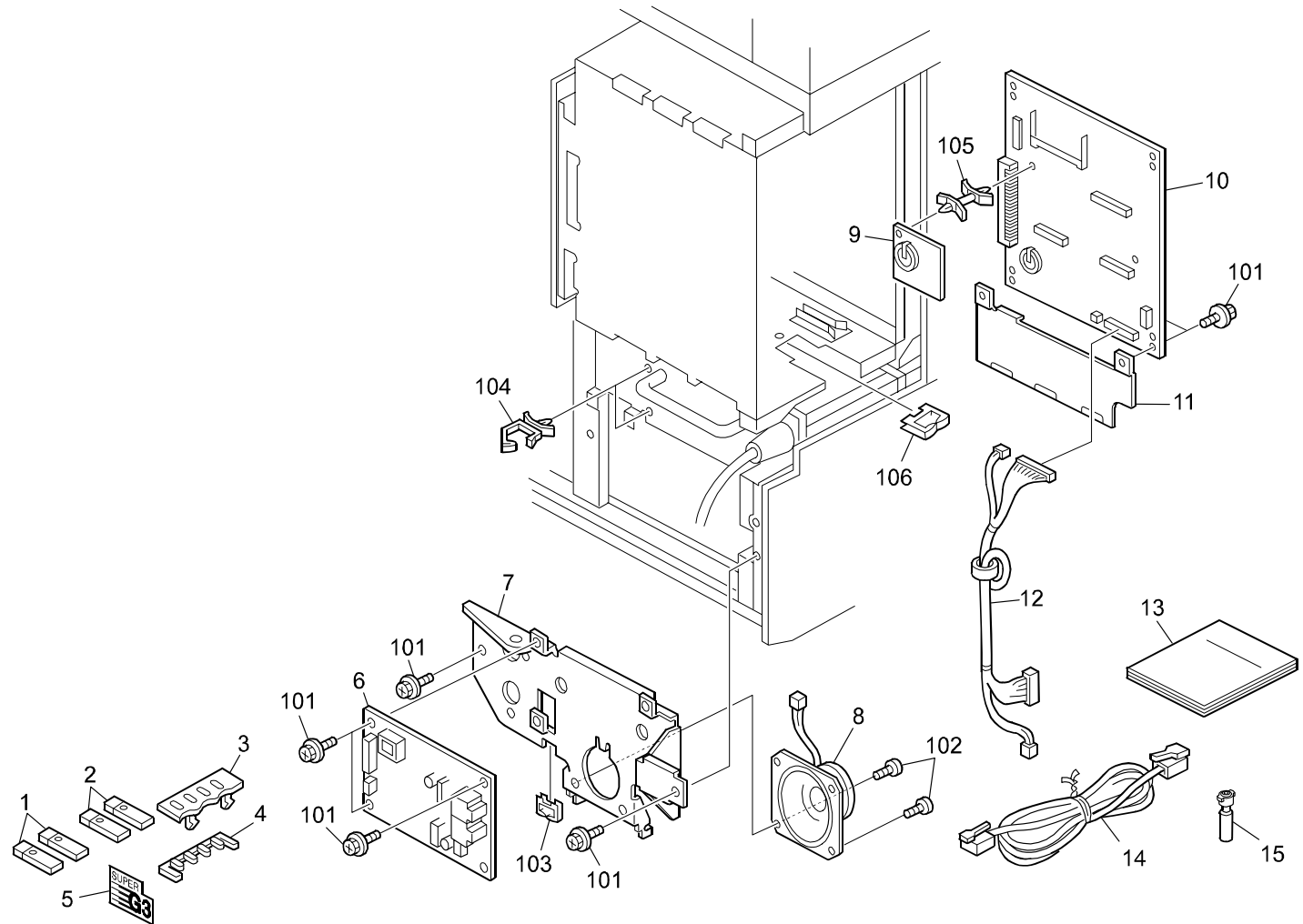
### **PARTS CATALOG**

This catalog gives the numbers and names of parts on this machine.

1.FAX OPTION TYPE 2045 (B547).....	2
2.G3 INTERFACE UNIT TYPE 2045 (B591).....	4
<b>PARTS INDEX</b> .....	<b>7</b>

**March ,30 ' 2003**

# 1.FAX OPTION TYPE 2045 (B547)

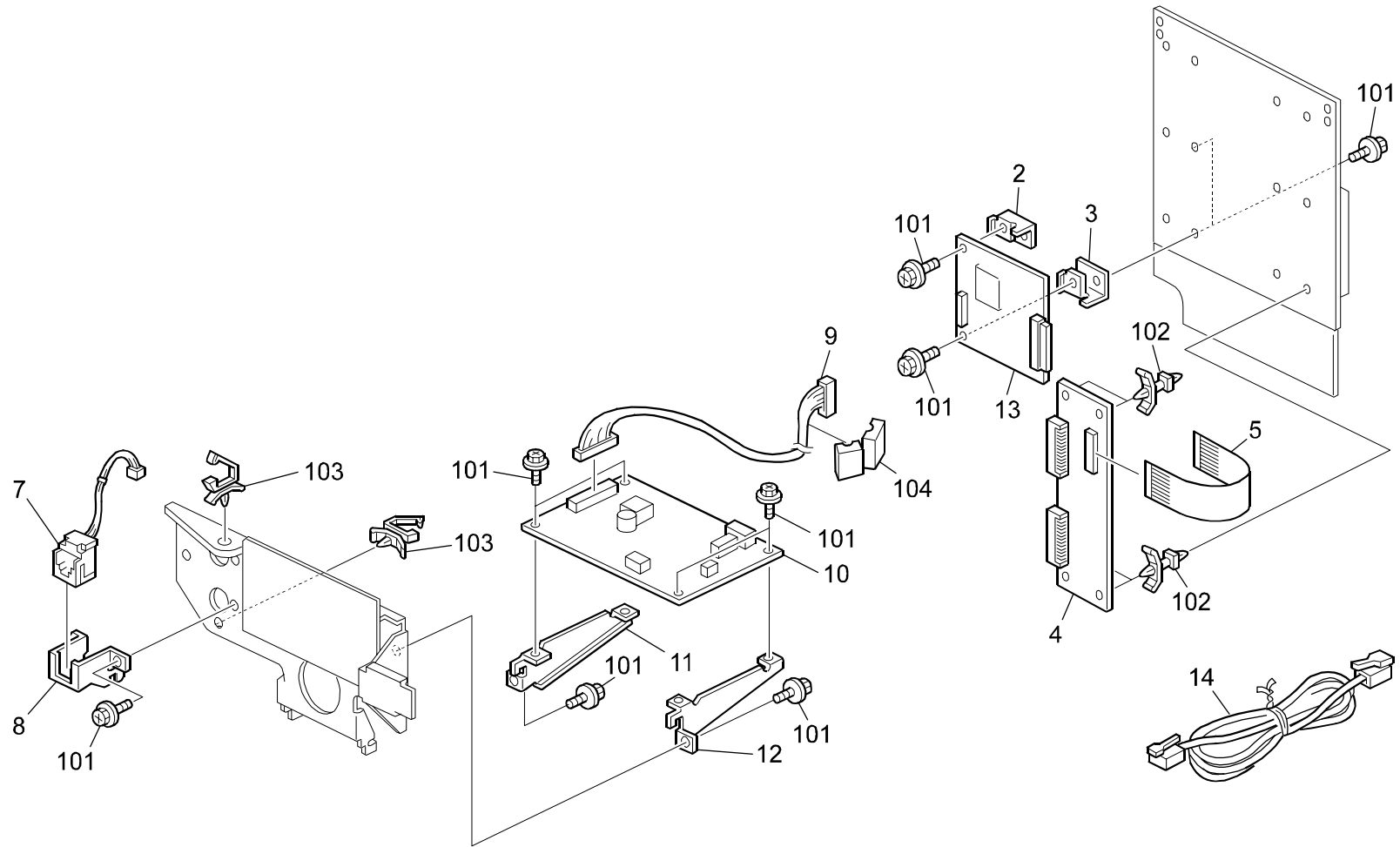


### 1.FAX OPTION TYPE 2045 (B547)

Index No.	Part No.	Description	Q'ty Per Assembly
1	B547 6357	Keytop:Fax:NA	1
1	B547 6367	Keytop:Fax:EU	1
2	B077 6356	Keytop:Copy:1:NA	1
2	B077 6366	Keytop:Copy:1:EU	1
3	B547 6370	Cover:Fax:Exp	1
4	B077 1537	Keytop:Key Top-pause	1
5	B404 3861	SG3 Decal	1
6	5488 6222	NCU-FD-U2 Board - 120V	1
6	5488 6292	NCU-FD-EA2T Board - 230V	1
7	B005 5801	Bracket:NCU	1
8	G025 1211	Speaker - GS	1
9	B078 5180	PCB:MBU:Ass'y	1
10	B078 5170	PCB:FCU:Ass'y	1
11	B083 5881	Supporter:PCB:Fax Control Unit	1
12	B547 5281	Harness:FCU-NCUSP:Exp	1
13	B547 8607	Operating Instructions:FAX:NA:English	1
13	B547 8657	Operating Instructions:FAX:NA:English	1
14	H523 5350	Telephone Cable (-17)	1
15	H511 5007	Stamp	1

Index No.	Part No.	Description	Q'ty Per Assembly
101	0451 3006B	Tapping Screw - M3x6	
102	0353 0060B	Philips Pan Head Screw - M3x6	
103	1105 0328	Harness Clamp - ES-0505	
104	1105 0487	Harness Clamp	
105	1105 0441	Spacer - 8mm	
106	1105 0352	Clamp	
107	0353 0080Z	Philips Trass Head Screw - M3X8	

## 2.G3 INTERFACE UNIT TYPE 2045 (B591)



## 2.G3 INTERFACE UNIT TYPE 2045 (B591)

Index No.	Part No.	Description	Q'ty Per Assembly
2	B366 5831	Bracket - SIG4 - Left	1
3	B366 5832	Bracket - SIG4 - Right	1
4	B078 5165	PCB:CCUIF:Ass'y	1
5	B366 5270	Flat Cable - FCU-CCUIF	1
7	B366 5277	Harness - Connector-SG3	1
8	B366 5835	Bracket - Connector	1
9	B591 5290	Harness:SG3-NCU	1
10	5488 6221	NCU Board	1
11	B366 5834	Bracket - NCU - Right	1
12	B366 5833	Bracket - NCU - Left	1
13	H310 6185	SG3-D Board	1
14	H523 5350	Telephone Cable (-17)	1

Index No.	Part No.	Description	Q'ty Per Assembly
101	0451 3006B	Tapping Screw - M3x6	
102	1105 0513	Double Locking Spacer	
103	1105 0487	Harness Clamp	
104	1607 1008	Ferrite Core - SFT-36S	

# Parts Index

## Parts Index

Part No.	Description	Page and Index No.
B547 5281	Harness:FCU-NCUSP:Exp	3 - 12
B547 6357	Keytop:Fax:NA	3 - 1
B547 6367	Keytop:Fax:EU	3 - 1
B547 6370	Cover:Fax:Exp	3 - 3
B547 8607	Operating Instructions:FAX:NA:English	3 - 13
B547 8657	Operating Instructions:FAX:NA:English	3 - 13

Part No.	Description	Page and Index No.
B005 5801	Bracket:NCU	3 - 7
B077 1537	Keytop:Key Top-pause	3 - 4
B077 6356	Keytop:Copy:1:NA	3 - 2
B077 6366	Keytop:Copy:1:EU	3 - 2
B078 5165	PCB:CCUIF:Ass'y	5 - 4
B078 5170	PCB:FCU:Ass'y	3 - 10
B078 5180	PCB:MBU:Ass'y	3 - 9
B083 5881	Supporter:PCB:Fax Control Unit	3 - 11
B366 5270	Flat Cable - FCU-CCUIF	5 - 5
B366 5277	Harness - Connector-SG3	5 - 7
B366 5831	Bracket - SIG4 - Left	5 - 2
B366 5832	Bracket - SIG4 - Right	5 - 3
B366 5833	Bracket - NCU - Left	5 - 12
B366 5834	Bracket - NCU - Right	5 - 11
B366 5835	Bracket - Connector	5 - 8
B404 3861	SG3 Decal	3 - 5
B591 5290	Harness:SG3-NCU	5 - 9
G025 1211	Speaker - GS	3 - 8
H310 6185	SG3-D Board	5 - 13
H511 5007	Stamp	3 - 15
H523 5350	Telephone Cable (-17)	3 - 14
H523 5350	Telephone Cable (-17)	5 - 14



Part No.	Description	Page and Index No.
0353 0060B	Philips Pan Head Screw - M3x6	3 -102
0353 0080Z	Philips Trass Head Screw - M3X8	3 -107
0451 3006B	Tapping Screw - M3x6	3 -101
0451 3006B	Tapping Screw - M3x6	5 -101
1105 0328	Harness Clamp - ES-0505	3 -103
1105 0352	Clamp	3 -106
1105 0441	Spacer - 8mm	3 -105
1105 0487	Harness Clamp	3 -104
1105 0487	Harness Clamp	5 -103
1105 0513	Double Locking Spacer	5 -102
1607 1008	Ferrite Core - SFT-36S	5 -104

Part No.	Description	Page and Index No.
5488 6221	NCU Board	5 - 10
5488 6222	NCU-FD-U2 Board - 120V	3 - 6
5488 6292	NCU-FD-EA2T Board - 230V	3 - 6